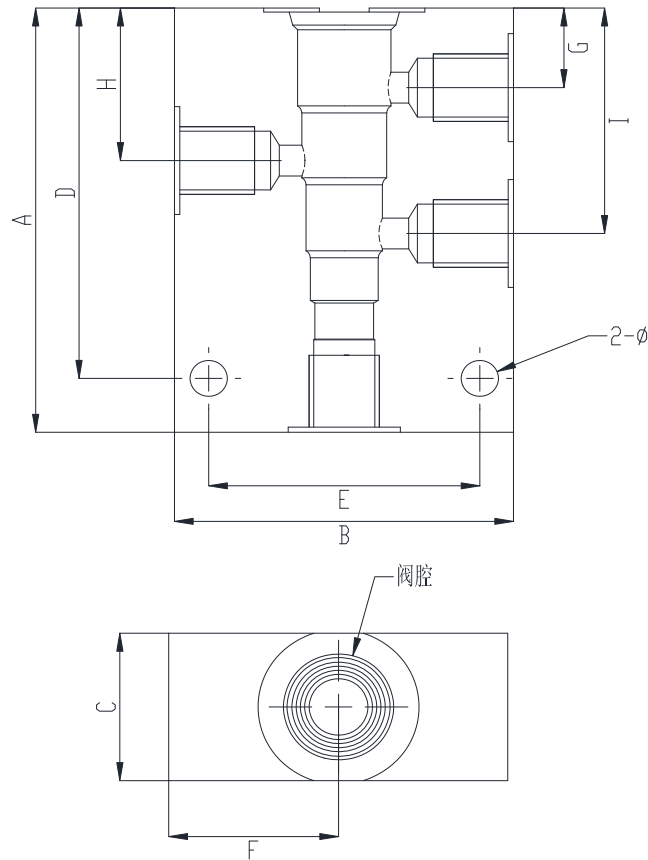


## 4口标准阀体



| 阀腔   | A     | B     | C    | D     | E    | F    | G    | H    | I    | 2-φ |
|------|-------|-------|------|-------|------|------|------|------|------|-----|
| 08-4 | 82.6  | 63.5  | 28.7 | 72.0  | 50.8 | 31.8 | 15.5 | 29.7 | 43.9 | 7.0 |
| 10-4 | 82.6  | 63.5  | 31.8 | 72.0  | 50.8 | 31.8 | 19.0 | 34.9 | 50.8 | 7.0 |
| 12-4 | 127.0 | 102.0 | 50.0 | 111.0 | 92.0 | 50.8 | 29.2 | 53.8 | 78.5 | 8.5 |
| 16-4 | 127.0 | 102.0 | 50.0 | 111.0 | 92.0 | 50.8 | 25.4 | 53.8 | 82.6 | 8.5 |

**B4** — **08** — **A** — **2G** -  
 ① — ② — ③ — ④

## ① 产品系列

B2 = 标准阀体, 4通

## ② 规格

08 = C08-4插孔  
 10 = C10-4插孔  
 12 = C12-4插孔  
 16 = C16-4插孔

## ③ 阀体材料

A = AL, 6061-T6, 最高工作  
 压力210bar  
 Q = QT500-7, 最高工作  
 压力350bar

## ④ 油口

2G = G1/4  
 3G = G3/8  
 4G = G1/2 (C10-4插孔阀体及以上)  
 6G = G3/4 (C12-4插孔阀体及以上)  
 8G = G1 (C16-4插孔阀体)  
 \* 其它规格可按需订制